

Vegetable Slicer

TR260 Vegetable Slicer - 2 Speed - with lever hopper on stand

ITEM # _____

MODEL # _____

NAME # _____

SIS # _____

AIA # _____


603281 (TR260FL2VS)

 Vegetable slicer, flat panel,
 2 speed on stand -
 380-415/3/50

Short Form Specification

Item No. _____

Universal vegetable slicer to serve 300 up to 1000 settings for table service and up to 4000 settings for catering service. 2 speeds (330/660 rpm). 2000W self-braking motor. Stainless steel motor housing and aluminium basement. "No volt release" safety device. Touch button control panel with on/off, speed selection and pulse function. Cutting disc diam. 300mm. Supplied with lever-operated hopper and mobile stainless steel support that incorporates a disc storage rack (discs not included). The touch button control panel has IP65 protection with low voltage level.

Main Features

- Continuous feed model.
- Large round (long vegetable) and large half moon feed hoppers.
- "No volt release" safety device.
- Delivered with:
 - Lever operated hopper and a mobile stainless steel support that incorporates a disc storage rack (discs not included)
- Complete selection of blades and dicing grids available (diameter 300 mm).
- Magnetic safety system and motor brake. Prevents machine from running when lever swings away or is open.
- Vegetable slicer with slicing, grating, shredding (julienne) as well as dicing and French fries cutting capability.
- Available as option a long vegetable accessory to fit in the lever operated hopper converting it into a long vegetable hopper (3 cylindrical hoppers: 50, 59,5, 70 mm diameter)
- Available upon request:
 - Automatic cylindrical hopper (dia=280 mm), long vegetable hopper (3 tubes) and cabbage hopper.

Construction

- Power: 2000 watts.
- 2 speed: 330-660 rpm.
- Stainless steel motor housing with aluminum basement and hoppers.

Included Accessories

- 1 of Feed tray to be combined with cabbage hopper and long vegetable hopper PNC 650036
- 1 of Stainless steel mobile stand. Height: 730 mm PNC 653017
- 1 of Lever-operated hopper for TR260 (including feed tray) PNC 653036
- 1 of Stainless steel disc rack for 300 dia. discs PNC 653212

Optional Accessories

- Feed tray to be combined with cabbage hopper and long vegetable hopper PNC 650036
- Stainless steel grating disc for parmesan (dia. 300 mm) PNC 650148
- Stainless steel grating disc for knoedeln (dia. 300 mm) PNC 650149
- Stainless steel grating disc 2 mm (dia. 300 mm) PNC 650150
- Stainless steel grating disc 3 mm (dia. 300 mm) PNC 650151
- Stainless steel grating disc 4 mm (dia. 300 mm) PNC 650152
- Stainless steel grating disc 7 mm (dia. 300 mm) PNC 650153
- Stainless steel grating disc 9 mm (dia. 300 mm) PNC 650154

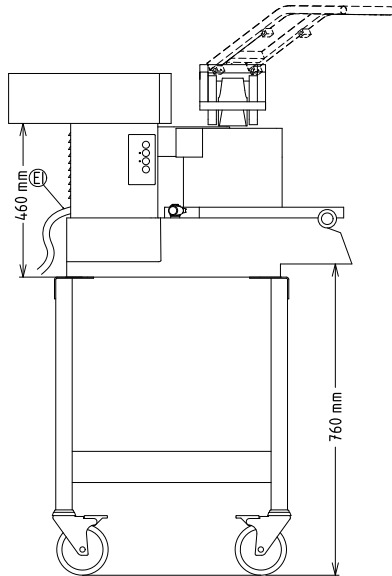
APPROVAL: _____



- Stainless steel cabbage grating disc with central shaft for stem removal 7 mm - to be combined with cabbage hopper PNC 650157
- Cabbage slicing disc with central shaft for stem removal 1mm (to be used with cabbage feed hopper) PNC 653009
- Stainless steel mobile stand. Height: 730 mm PNC 653017
- Lever-operated hopper for TR260 (including feed tray) PNC 653036
- Automatic feed hopper for TR260 PNC 653037
- Large hopper for TR260, diam. 280mm PNC 653048
- Dicing grid 10 mm for TR260 PNC 653051
- Dicing grid 16 mm for TR260 PNC 653052
- Dicing grid 20 mm for TR260 PNC 653053
- Dicing grid 25 mm for TR260 PNC 653054
- Dicing grid 32 mm for TR260 PNC 653055
- Slicing disc 2 mm (dia. 300 mm) PNC 653172
- Slicing disc 3 mm (dia. 300 mm) PNC 653173
- Slicing disc 1 mm (dia. 300 mm) PNC 653188
- Slicing disc 5 mm (dia. 300 mm) PNC 653189
- Slicing disc 6 mm (dia. 300 mm) PNC 653190
- Slicing disc 8 mm (dia. 300 mm) PNC 653191
- Slicing disc 10 mm (dia. 300 mm) PNC 653192
- Slicing disc 16 mm (dia. 300 mm) PNC 653193
- Shredding disc 2x2 mm (dia. 300 mm) PNC 653195
- Shredding disc 3x3 mm (dia. 300 mm) PNC 653196
- Shredding disc 4x4 mm (dia. 300 mm) PNC 653197
- Shredding disc 6x6 mm (can also be used for chips - dia. 300 mm) PNC 653198
- Shredding disc 8x8 mm (can also be used for chips - dia. 300 mm) PNC 653199
- Shredding disc 10x10 mm (can also be used for chips - dia. 300 mm) PNC 653200
- Stainless steel disc rack for 300 dia. discs PNC 653212
- Disc with corrugated blades 2 mm (dia. 300 mm) PNC 653217
- Disc with corrugated blades 3 mm (dia. 300 mm) PNC 653218
- Disc with corrugated blades 6 mm (dia. 300 mm) PNC 653219
- Long vegetable accessory for TR260 lever-operated hopper (to change the lever-operated hopper into long vegetable hopper) PNC 653223
- Stainless steel trolley suitable to hold one 2/1 GN container (GN container not included) PNC 653224
- Cabbage slicing disc with central shaft for stem removal 2 mm (to be used with cabbage feed hopper) PNC 653227
- Cabbage slicing disc with central shaft for stem removal 3 mm (to be used with cabbage feed hopper) PNC 653228
- Dicing grid 12 mm for TR260 PNC 653301



Front


Electric
Supply voltage:

603281 (TR260FL2VS) 380-415 V/3 ph/50 Hz

Electrical power max.:

2 kW

Total Watts:

2 kW

Capacity:
Performance (up to):

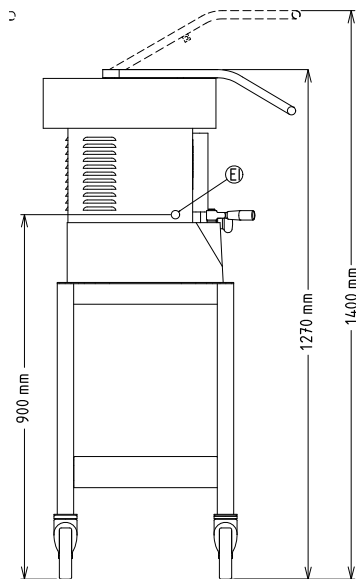
700 kg/hour

Key Information:
External dimensions, Width: 610 mm

External dimensions, Depth: 830 mm

External dimensions, Height: 1400 mm

Side



EI = Electrical inlet (power)

Top

